

300kg Goods Hoist



Rapid Hoists are a national service provider for construction hoists available across the UK, Offering one of the newest fleets in the UK along with its program of investment means we can rapidly respond to any of your needs.

The 300kg single barrow hoists are the perfect material handling equipment for improving site logistics.

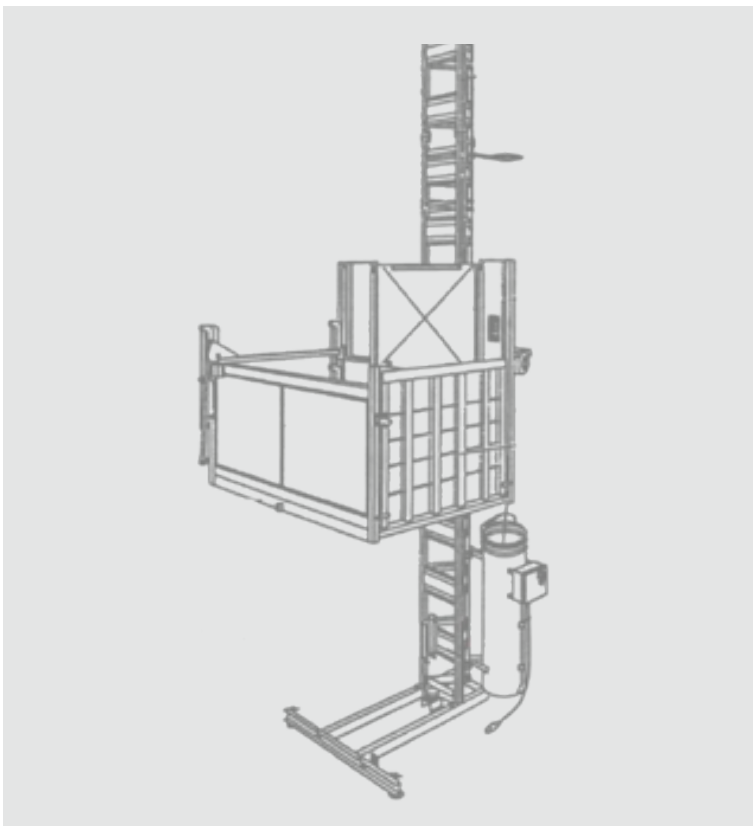
Geda 300Z electric hoist can be wall-mounted or attached directly to a scaffold. This Geda hoist offers a simple and good-value transport system for lifting gear and equipment up to 50 metres.

The information provided is for guidance only. It may change at any time in accordance with manufacturer's specification.

MACHINE SPECIFICATION SHEET

G300

MAX HEIGHT	50.00m/230v 100.00m/400v
LIFTING CAPACITY	300kg
PERSON CAPACITY	GOODS ONLY
CAGE DIMENSIONS	1.4 x 0.8m
LIFT SPEED	20.00m/min/230v 30.00m/min/400v
POWER	ELECTRIC 1.8 kW/230 V/50 Hz/16 A
FEATURED MODEL	GEDA 300Z



t 01279 501501

e info@rapidplatforms.co.uk